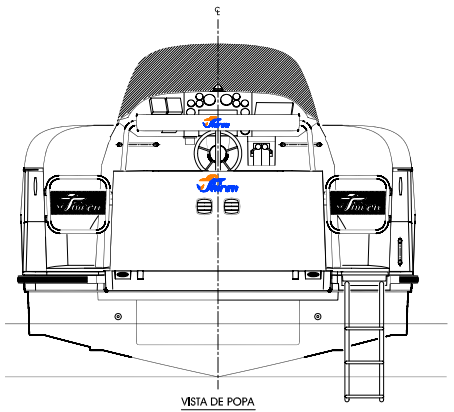
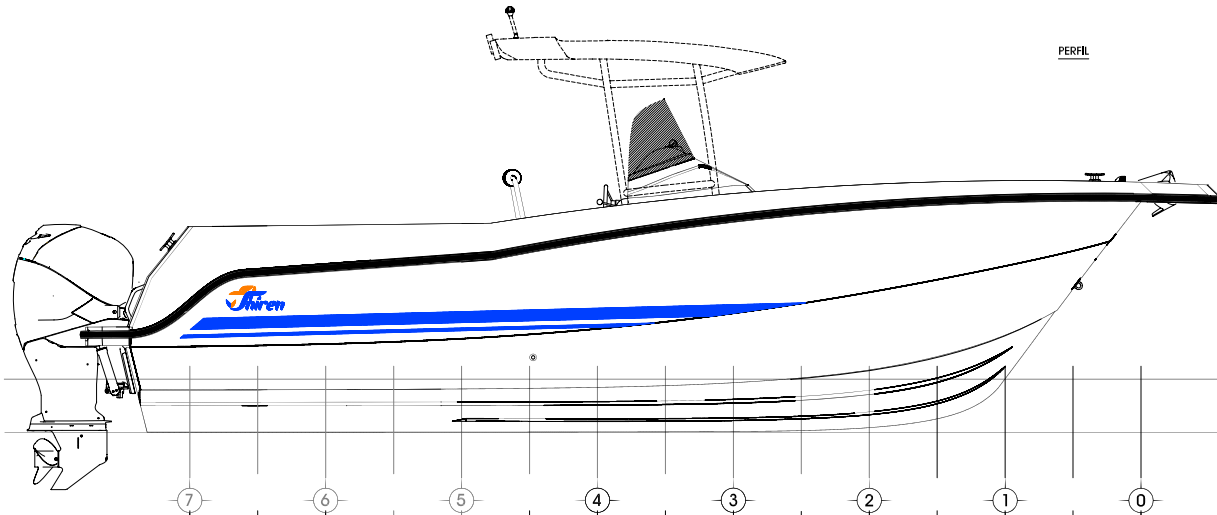


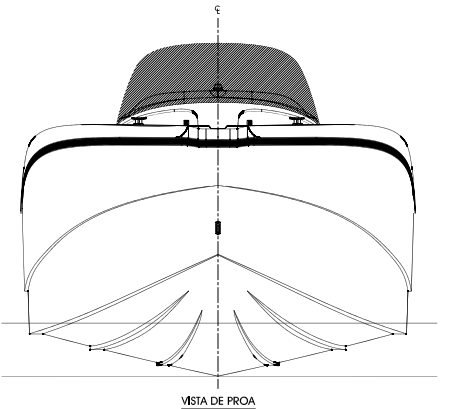
CORTE CRUJIA



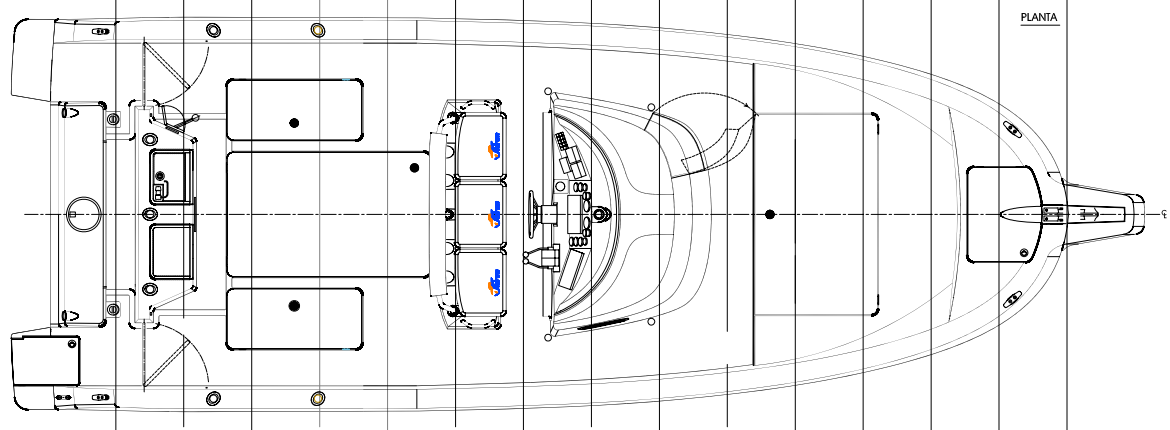
VISTA DE POPA



PERFIL




VISTA DE PROA



PLANTA

REV.	DATE	MODIFICATIONS
-	-	-

	
PROJECT TITLE SHIREN 27 C.C.	
PROJECT Nº H-134	DRAWING DISPOSICION GENERAL
SCALE:	DWG Nº: H-134-010
DATE:	REVISION: A

Copyright by HYDR YACHT DESIGN.
 This drawing is the property of HYDR YACHT DESIGN. It should not be reproduced or used for any construction or other purposes without written authorization. All trademarks are the property of their respective owners. The author does not accept the content of the drawing and takes the designer in the case of any discrepancies only to any contractor. All modifications are the responsibility of the author without further consultation from HYDR YACHT DESIGN on paper or under any circumstances. Payments are based on a license for the construction of 1 unit. No license can be built without written authorization from HYDR YACHT DESIGN and the payment license payment.