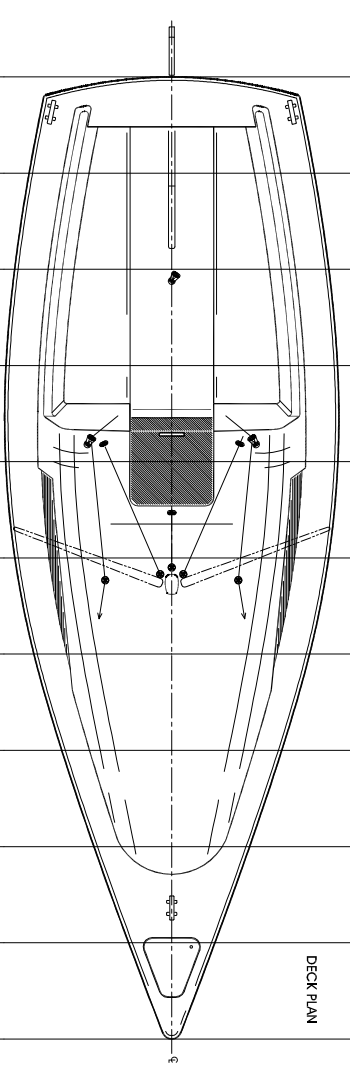
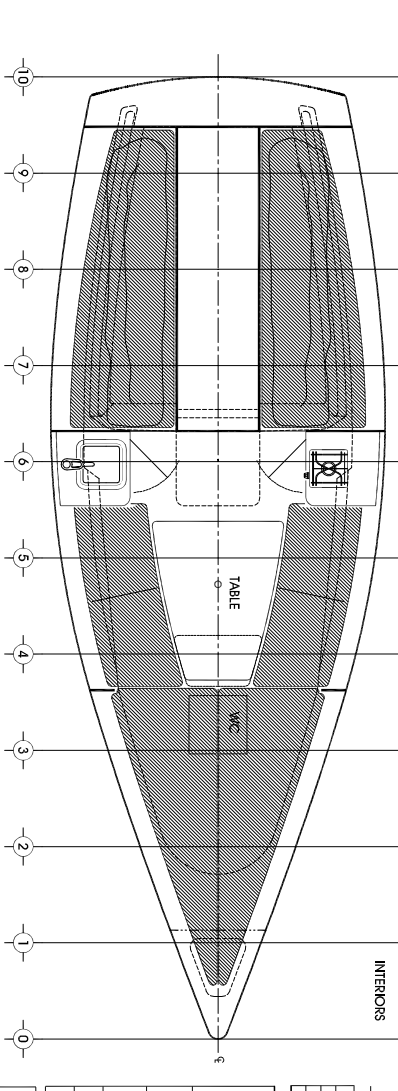


PROFILE



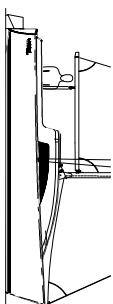
DECK PLAN



INTERIORS

GENERAL CHARACTERISTICS	
LOA:	19' 0" ft
WL:	17' 0" ft
Beam:	6' 2" ft
Displacement:	1270 kg (lb)
Draft:	3' 2" ft
Max. Speed:	35.0 kts (mph)
Powering:	4 hp

INTERIOR CHARACTERISTICS	
FORWARD BERTH:	6' x 4' 1" ft
SEATON:	NP
SEATS:	4
HEADROOM:	6' 2" ft
SEE:	6' 2" 9" ft
GALLEY AREA:	6' 2" ft
HEADROOM:	6' 2" 1" ft
SEE:	6' 2" 1" ft
AFT BED / STORAGE:	6' x 2" ft
COCKPIT:	NP
SEE FORWARD:	6' x 6" ft
SEE AFTWARD:	7' x 6" 2" ft



MACRO DETAIL

PROJECT TITLE:	HYDRA 580
PROJECT:	GENERAL ARRANGEMENT
SCALE:	1:20 DWG N°: H-105-001
DATE:	REVISION: A

Copyright by HYDR YACHT DESIGN. All rights reserved. No part of this drawing may be reproduced, stored in a retrieval system, or transmitted in any form or by any means, electronic, mechanical, photocopying, recording, or by any information storage and retrieval system, without the prior written permission of HYDR YACHT DESIGN. All dimensions are in feet and inches. The manufacturer is responsible for the accuracy of the information on this drawing. It is based on the best information available at the time of the design.